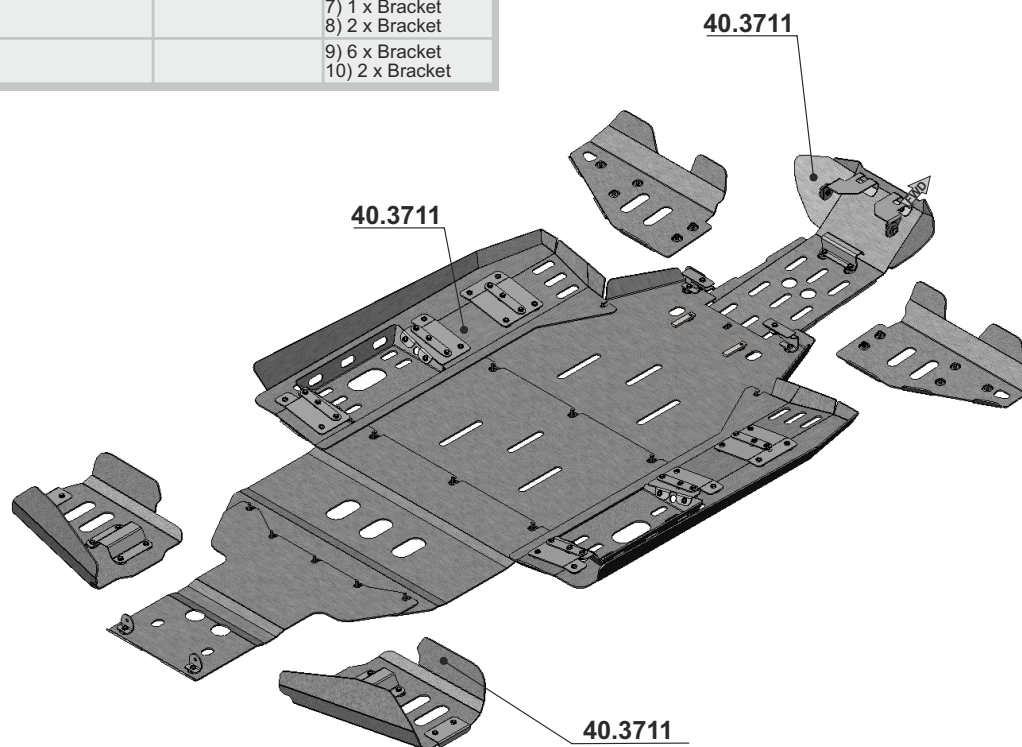
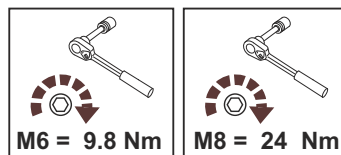


CFMOTO ZFORCE500HO/800 Trail 800

Material: Aluminium

Main parts of skid plate set

Part name	Part number	Fitting
Main part	40.3711	2 x Bolt M8x20 7 x Screw M6x20 13 x Screw M6x30 8 x Screw M8x16 52 x Screw M8x20 4 x Screw M8x40 20 x Washer 6 32 x Washer 8 32 x Washer 8G 54 x SD 28000 1) 2 x Special washer 2) 6 x Threaded insert 3) 4 x Bracket 4) 2 x Bracket 5) 2 x Bracket 6) 2 x Bracket 7) 1 x Bracket 8) 2 x Bracket 9) 6 x Bracket 10) 2 x Bracket



CFMOTO ZFORCE500HO/800 Trail 800

Installing the skid plate.

1. Remove the regular plastic duster.
2. Install the brackets "5, 6, 8" on the frame of the ATV as show on the scheme. That install the brackets "5" you need unscrew the lower bolts lower bolts of the plastic body kit front of the ATV, and, pushing aside the plastic, fix the bracket using bolts with washers as shown on the scheme. Install the brackets "8" under a regular fasteners of the tow bar.
3. Put inside the brackets supporting the side steps of the ATV, the brackets "9" and fix them on the bracket using secondary threaded hole.
4. Install the brackets "3,4" on the created mounting points. The screws not tighten.
5. Sequentially set the details of the skid plate "A" and "B" using the bracket "7" on the created and regular fixing points. The screws are not fully tighten.
6. Install the details of the side steps protection "F".
7. Install the side steps protection on the created fixing points. The front edge of the side steps protection is got under the detail "B". The fixing groove the side steps protection combined with the fasteners of the detail "B".
8. Consistently install the parts "C, D, E". The front edge of each part is put on the rear edge of the already installed detail.
9. Correct the relative position of the parts, tighten the fasteners.
10. Install the front and rear A-arms protection, using the fasteners as shown on the scheme.
11. Tighten the fasteners; put in place and tighten lower bolts of the plastic body kit front of the ATV.

STORM

www.stormprotect.ru; www.storm-protect.com

STORM

www.stormprotect.ru; www.storm-protect.com

